

ELECTRIC HAND TOOL ACCESSTYLE

ANGLE GRINDER Model AG-A/125-750/PCS

USER MANUAL



Dear buyer! Thank you for purchasing an Accesstyle brand tool. All our products are manufactured to the highest quality requirements.

We hope that our tool will fully meet your expectations.

For long life, efficient and safe operation, please read this manual carefully and keep it for future reference.

When purchasing a product:

- require checking its operability by trial closing, as well as completeness, according to the delivery set given in this manual;
- make sure that the warranty card is properly executed, contains the date of sale, the stamp of the store and the signature of the seller;

Attention! Power tools are hazardous equipment. To avoid electric shock, fire and/or serious injury you need STRICTLY respect the warnings and instructions. Read all safety warnings and all instructions before operating a power tool. Save all warnings and instructions for future reference

General Power Tool Safety Warnings

Work area safety

Keep work area clean and well lit. Cluttered or dark areas invite accidents.

Do not operate power tools in explosive atmospheres, such as in the presence of flammable liquids, gases or dust. Power tools create sparks which may ignite the dust or fumes.

Keep children and bystanders away while operating a power tool.

Distractions can cause you to lose control and injury.

Electrical safety

Power tool plugs must match the outlet; check the operability of the cable, plug and socket; in case of failure of these parts, further operation is prohibited.

The double-insulated tools can be used from sockets without a third earth wire. Power tools without double insulation must be connected to a grounded socket.

Avoid body contact with earthed or grounded surfaces, such as pipes, radiators, ranges and refrigerators. There is an increased risk of electric shock if your body is earthed or grounded. If operating a power tool in a damp location is unavoidable, use a residual current device (RCD) protected supply that shuts off the power tool in case of a leak. Use of electrician's rubber gloves and special shoes reduces the risk of electric shock.

Do not expose power tools to rain or wet conditions. Water entering a power tool will increase the risk of electric shock

Do not abuse the cord. Never use the cord for carrying, pulling or unplugging the power tool. Keep cord away from heat, oil, sharp edges and moving parts. Replace damaged cords immediately. Damaged or entangled cords increase the risk of electric shock. When operating a power tool outdoors, use an extension cord suitable for outdoor use.

Personal safety

Stay alert when operating a power tool. Do not use a power tool while you are tired or under the influence of drugs, alcohol or medication. A moment of inattention while operating power tools may result in serious personal injury.

Dress properly. Keep your hair, clothing and gloves away from moving parts. Loose clothes, jewelry or long hair can be caught in moving parts. Keep handles dry, clean and free from oil and grease.

Prevent unintentional starting. Ensure the switch is in the off-position before connecting to power source. Carrying power tools with your finger on the switch invites accidents.

Remove any adjusting key or wrench before turning the power tool on. A wrench or a key left attached to a rotating part of the power tool may result in the tool damage or serious injury.

Keep proper footing and balance at all times. This enables better control of the power tool in unexpected situations.

Use personal protective equipment. Always wear eye protection. Protective equipment such as dust mask, non-skid safety shoes, hard hat, or hearing protection used for appropriate conditions

Power tool use and care

Use clips, adjusting clamps, a vice clamps, or other method to securely hold the workpiece. Holding the part with your hand or body is not secure and could result in loss of control, tool breakage, or injury.

Do not force the power tool. Use the correct power tool for your application. The correct power tool will do the job better and safer at the rate for which it was designed

Do not use the power tool if the switch does not turn it on and off. Any power tool that cannot be controlled with the switch is dangerous and must be repaired.

Disconnect the plug from the power source and/or the battery pack from the power tool before making any adjustments, changing accessories, or storing power tools. Such preventive safety measures reduce the risk of starting the power tool accidentally.

Store idle power tools out of the reach of children and do not allow persons unfamiliar with the power tool or these instructions to operate the power tool. Power tools are dangerous in the hands of untrained users.

Keep cutting tools sharp and clean. Properly maintained cutting tools with sharp cutting edges are less likely to bind and are easier to control. Any change or modification is prohibited as this may result in damage to the power tool and/or personal injury.

Maintain power tools. Check for misalignment or binding of moving parts, breakage of parts and any other condition that may affect the power tool's operation. If damaged, have the power tool repaired before use. Many accidents are caused by poorly maintained power tools. Work out a periodic service schedule for your power tool.

Do not use accessories which are not specifically designed and recommended by the tool manufacturer. Just because the accessory can be attached to your power tool, it does not assure safe operation.

Service

Have your power tool serviced by a qualified repair person in authorized service centers. Maintenance performed by unqualified person may cause tool breakage and injury.

Do not use corrosive chemicals or liquids to clean the body parts. Use of some cleaning agents such as gasoline, ammonia, etc. cause damage to plastic parts.

When servicing a power tool, use only recommended replacement consumables, attachments, and accessories. Use of non-approved consumables, attachments, and accessories may result in damage to the power tool or personal injury.

Safety Warnings for Angle Grinder

WARNING Read all Illustrations, specifications, safety warnings and all instructions provided with the tool. Failure to follow the warnings and instructions may result in electric shock, fire and/or serious injury.

This power tool is intended to function as a grinder, sander, wire brush or cut-off tool. Operations such as polishing are not recommended to be performed with this power tool. Operations for which the power tool was not designed may create a hazard and cause personal injury.

Do not use accessories which are not specifically designed and recommended by the tool manufacturer. Just because the accessory can be attached to your power tool, it does not assure safe operation, inappropriate accessory can get out of control and lead to kickback and injury. The rated speed of the accessory must be at least equal to the maximum speed marked on the power tool. Accessories running faster than their rated speed can break, fly apart and inflict severe injuries from flying fragments.

The outside diameter and the thickness of your accessory must be within the capacity rating of your power tool. Incorrectly sized accessories cannot be adequately guarded or controlled leads to kickback and injury. Threaded mounting of accessories must match the grinder spindle thread Accessories that do not match

the mounting hardware of the power tool will run out of balance, vibrate excessively and may cause loss of control.

Do not use a damaged accessory! Before each use inspect the accessory such as cutting or abrasive wheels for chips and cracks, backing pad for cracks, tear or excess wear, wire brush for loose or cracked wires. Do not use battered accessory.

If power tool or accessory is dropped, inspect for damage or install an undamaged accessory.

After inspecting and installing an accessory, position yourself and bystanders away from the plane of the rotating accessory and run the power tool at maximum no-load speed for one minute. Damaged accessories will normally break apart during this test time, what helps to avoid the risk of injury if the accessory breaks during operation.

Wear personal protective equipment. Depending on application, use face shield or safety glasses. As appropriate, wear dust mask, hearing protectors, gloves and shop apron to protect your eyes from flying debris generated by various operations, to prevent inhaling particles generated by your operation, and to avoid hearing loss as a result of prolonged exposure to noise and injury from small abrasive or workpiece fragments.

Keep bystanders a safe distance away from work area. Anyone entering the work area must wear personal protective equipment. Fragments of workpiece or of a broken accessory may fly away and cause injury beyond immediate area of operation

Hold the power tool by insulated gripping surfaces only, when performing an operation where the cutting accessory may contact hidden wiring or its own cord. Cutting accessory contacting a "live" wire may make exposed metal parts of the power tool "live" and could give the operator an electric shock.

Position the cord clear of the spinning accessory. If you lose control, the cord may be cut or snagged and your hand or arm may be pulled into the spinning wheel.

Never lay the power tool down until the accessory has come to a complete stop. The spinning wheel may grab the surface and pull the power tool out of your control. Do not run the power tool while carrying it at your side. Accidental contact with the spinning accessory could snag your clothing, pulling the accessory into your body and cause serious injury.

Regularly clean the power tool's air vents. The motor's fan will draw the dust inside the housing and excessive accumulation of powdered metal may cause electrical hazards or damage the protective insulation.

Do not operate the power tool near flammable materials. Sparks could ignite these materials.

Do not use accessories that require liquid coolants. Using water or other liquid coolants may result in electrocution or shock.

Kickback and related warnings

Kickback is a sudden reaction to a pinched or snagged rotating wheel, backing pad, brush or any other accessory. Pinching or snagging causes rapid stalling of the rotating accessory which in turn causes the uncontrolled power tool to be forced in the direction opposite of the accessory's rotation at the point of the binding. The wheel may either jump toward or away from the operator, depending on direction of the wheel's movement at the point of pinching. Abrasive wheels may also break under these conditions.

Kickback is the result of power tool misuse and/or incorrect operating procedures or conditions and can be avoided by taking proper precautions as given below:

Maintain a firm grip on the power tool and position your body and arm to allow you to resist kickback forces. Always use auxiliary handle, if provided, for maximum control over kickback or torque reaction

during start-up. The operator can control torque reactions or kickback forces, if proper precautions are taken.

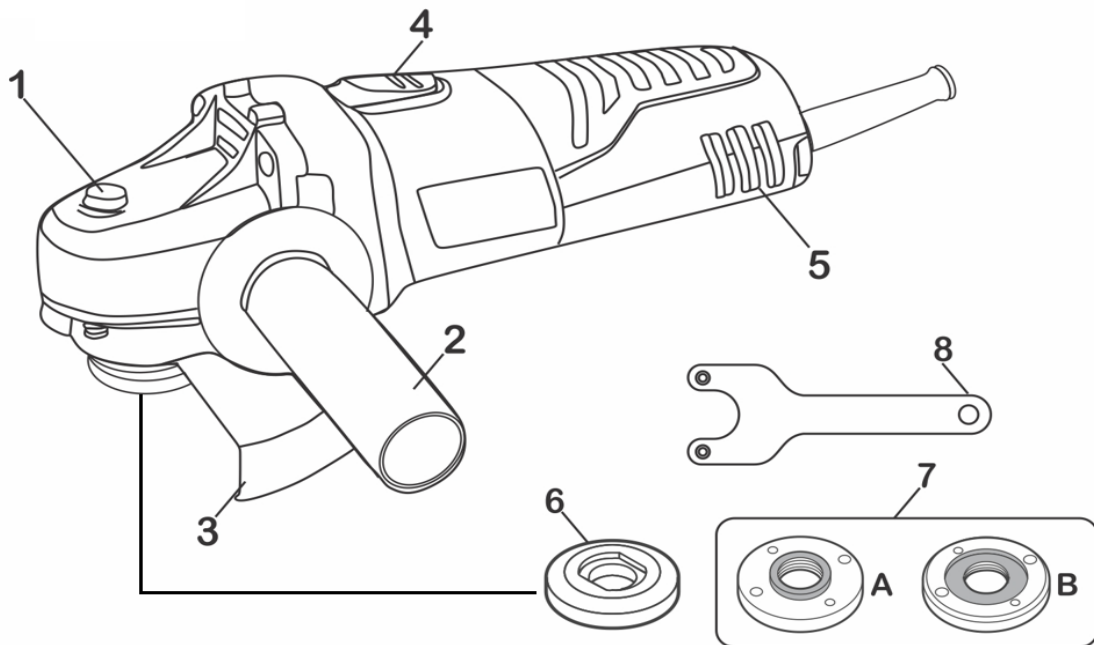
Never place your hand near the rotating accessory. Accessory may kickback over your hand

Do not position your body in the area where power tool will move if kickback occurs. Kickback will propel the tool in direction opposite to the wheel's movement at the point of snagging.

Use special care when working corners, sharp edges, etc. Avoid bouncing and snagging the accessory. Corners, sharp edges or bouncing have a tendency to snag the rotating accessory and cause loss of control or kickback

Do not attach a saw chain woodcarving blade or toothed saw blade. Such blades create frequent kickback and loss of control.

BRIEF DESCRIPTION OF THE PRODUCT



- 1. Spindle lock button
- 2. Side handle
- 3. Protective cover
- 4. Start button

- 5. Ventilation holes
- 6. Inner flange
- 7. Clamp Nut (Side A, Side B)
- 8. Remove key

Technical characteristics:

Motor's type	electric, commutator
Power type	110-220V/50 Hz
Housing material	plastic
Bore diameter	22.2 mm
Disc diameter	125 mm
Max. idle speed	11000 rpm
Disc mount type	Spindle
Spindle thread	M14

Disk protection	Yes
Spindle lock	Yes
Power button lock	Yes
Rated power	750 W
Network cable length	2 m
Socket type	VDE socket

APPLICATION AREA

Angle grinder is a hand tool equipped with an electric motor, designed for cutting, grinding, deburring and other mechanical work with products made of stone, metal and other hard materials. The axis of the motor and the fixed tool are located relative to each other at an angle of 90°. As a tool, special abrasive discs (circles) and brushes are used, which are threaded onto the angle grinder spindle.

POWER SUPPLY

Before starting work, make sure that the mains voltage corresponds to the characteristics indicated on the stickers on the product case. Do not connect the tool to a power supply greater than 240 V.

PREPARATION FOR WORK AND OPERATION

Be sure to unplug the power cord before removing or installing accessories, the protective cover, or any other manipulation of the tool.

PROTECTIVE COVER

To install the protective cover:

- Loosen the fixing screw.
- Install the cover so that the closed side faces the operator.
- Tighten the fixing screw as far as it will go.
- Check the security of the fixation - a properly installed cover should be static

For safe operation, install the protective cover in such a way that during work it protects the operator from the emission of sparks and fragments of the processed material.

INSTALLING THE SIDE HANDLE

Find a convenient position for the side handle and screw it into the socket on the tool body. To perform various operations, the angle grinder provides two positions of the side handle. Before starting work, check that the side handle is securely locked to avoid losing control of the tool.

ACCESSORY

Before any handling of the accessory, unplug the power cord from the mains socket to avoid unintentional starting and personal injury.

To install cutting, abrasive discs:

- Press the spindle lock button. Turn the clamping nut clockwise until it locks.
- Unscrew the clamping nut with a removable wrench and remove it.

- Slide the disc over the inner flange mounted on the spindle.
- Install back the clamping nut and screw it down. (Use side A or side B of clamping nut depending on tooling thickness)
- Tighten the clamping nut to the stop using a special wrench.
- Disengage the spindle lock button.
- Wire brushes and other attachments with a threaded bore are screwed directly onto the spindle and, if necessary, secured with a clamping nut.

Before pressing the "start" button, turn the installed equipment by hand to check the reliability of its fixation and free motion.

Please note - you can use the spindle lock button only after the tool is turned off and the shaft has completely stopped. Blocking the rotating shaft will damage the tool and may cause injury.

POWER ON/OFF

To start the angle grinder move the "start" button to the "on" position and fix it by pressing.

To turn off the tool, remove the fixation of the "start" button by pressing it again and move it to the "off" position.

Please note that starting the tool while the spindle lock button is depressed will cause tool breakage and may result in personal injury.

Connecting / disconnecting the power cord to / from the mains is allowed only after turning off the tool with the "start" button.

TOOL RECOMMENDATIONS

Be sure to disconnect the power cord from the mains before removing or installing accessories, the protective cover, or otherwise handling the tool.

Before work, check the reliability of the fixation of the disc - running the tool with loose equipment can lead to serious injury.

Do not point the working tool at persons in the work area to avoid injury in case of accidental disconnection of the equipment.

When starting work, hold the tool securely by the main and additional handles and bring the equipment to the surface to be treated only after starting the angle grinder to avoid jerking, jamming, kickback and possible injury.

Push the tool against the direction of rotation of the tool to avoid uncontrolled withdrawal from the cut.

If the disc jams, turn off the tool immediately, do not try to free the tool with the motor running.

Do not apply excessive force to the tool - the pressure created by the weight of the tool itself is enough for the effective operation of the angle grinder.

Do not try to speed up the stop of the accessory with side pressure. Additional pressure can damage the tool, cause tool breakage, and result in injury.

Clamp workpieces in a vice clamp or otherwise for efficient and safe work, it's more secure than holding them in your hand.

To cool the tool after working with a heavy load, run it at idle for a few minutes.

As a result of using the tool, the tooling and the parts adjacent to it can become very hot - do not touch them until they are completely cool to avoid burns.

When performing grinding and deburring operations, position the edge of the tooling at an angle of 15° to the surface to be worked.

If a new abrasive disc is installed on the tool, before its edge is rounded as a result of use, it is recommended to move the tool towards the operator, as when moving away from the operator, the new tool may cut into the work surface.

After rounding the edge of the disk, you can move the tooling in both directions.

If the tool has not been used for a long time, has been stored or will be used at a low ambient temperature, turn it on without load before starting work to warm up and soften the grease.

After the tool has been in a cold room or outdoors in the winter season, it can only be connected to a power source after the condensate has completely dried.

When using the tool continuously, take a 15-minute break every hour to prevent it from overheating and breaking.

At the end of the operation, turn off the tool and wait for the tool to stop completely, after which you can put the tool down.

TOOL MAINTENANCE

Clean the tool from dust after each use, blow out the ventilation slots and connect the tool through a residual current circuit breaker, as the conductive dust generated by metal working can accumulate inside the tool and damage the protective insulation.

If you need to replace the cord, carbon brushes, repair and maintain the tool, contact the service center. Unprofessional replacement of parts, use of non-original spare parts, parts and consumables is prohibited.

STORAGE, UTILIZATION

It is recommended that the instrument be stored and transported in its original storage case to protect it from dirt, damage, moisture, direct sunlight, high temperatures or its sudden changes.

Do not dispose of unusable and non-repairable power tools and accessories in household waste, they must be disposed of in accordance with current environmental regulations.

SERVICE MAINTENANCE

Repair of the tool must be carried out only by qualified personnel at authorized service centers.

ATTENTION! The use of any accessories and attachments, or the performance of any operation other than those recommended in this manual, may result in injury or damage to the instrument.

ACCESSTYLE TRADEMARK PRODUCT WARRANTY TERMS.

1. All of the following warranty conditions are subject to the current legislation of the Russian Federation governing the sale of consumer goods.
2. The product warranty period starts from the date of original purchase and is 1 (one) year.
3. The service life of the product is 5 (five) years from the date of purchase or, in its absence, from the date of production, conditioned upon a full compliance with the storage conditions and operating rules, as well as the correct assembly and installation of the tool specified in this manual.
4. The warranty does not cover:
 - 4.1. Cables, adapters, accessories, covers, carrying cords, clips, holders of various types, packaging and documentation.
 - 4.2. Normal wear or damage to the outer surfaces of the product.
 - 4.3. Defects caused by moisture, dampness, extreme temperatures, microwave energy, pressure, shock, insects, animals, liquids, food, dust, chemicals.
 - 4.4. A product that has been repaired or modified by persons other than those specified in clause 5.
 - 4.5. A product that was not used for its intended purpose, as well as in violation of the operating rules set forth in the user manual.
 - 4.6. Defects caused by the use of incompatible equipment or accessories.
5. Warranty service is performed by organizations authorized for this - authorized service centers, the list of which is contained on the support page of the website <http://www.accesstyle.ru> and is available by phone 8-800-250-07-17. During the warranty period, the elimination of manufacturing defects is free of charge for the buyer upon presentation of the original completed warranty card and / or documents confirming the fact and date of purchase (cash receipt). Documents must contain the name of the product model, date of sale, details of the trading organization. In the absence of these documents, the authorized organization has the right to refuse warranty service.
6. The warranty period is extended by the maintenance period. The replacement of components, utilities or a complete set of the product does not lead to the establishment of new warranty periods for the entire product and the replaced parts.
7. Under no circumstances shall the Manufacturer, Importer and organizations authorized by him be liable for any special, incidental, direct or indirect damage or loss, including, but not limited to, lost profits, loss or inability to use information or data, costs of restoring information or data, losses caused by interruptions in business, production or other activities arising from the use or inability to use the Accesstyle product.